

# X-CR Sygma

- Robust
- High throughput
- Fast
- All Cassette sizes
- High image quality
- 2 modes:  
normal and high resolution

**5 YEARS WARRANTY**  
**HIGH RESOLUTION**



XV194095

PROCESSING CAPACITY : 60 IPS/HR.

**Package :**

- Reader
- Cassette(s)
- Computer
- Monitor
- AQS software



### Technical Specifications:

#### ■ Cassette size

14"x17" / 14"x14" / 11"x14" / 10"x12" / 8"x10" /  
18x24 cm / 24x30 cm / 15x30 cm

#### ■ Sampling Pitch

2Types: 87.5 µm / 175 µm

#### ■ Maximum Resolution

4,020x4,892 (14"x17", 87.5 µm )

#### ■ Digital Gradation Level

4096 levels (12bit)

#### ■ Processing Capability

Up to 60 plates / hour (14"x17" / 175 µm)

#### ■ Slots

Insertion / ejection slot x 1

#### ■ Outer Dimensions/Weight

W510xD610xH355 mm / Approximately 28 kg

#### ■ Power supply conditions

100 VA max during operation: 20 VA when not in use.

#### ■ Operating Conditions

Temperature : 10-30 °C

Humidity : 15-80 %RH (No Condensation)

#### ■ Readable Cassette

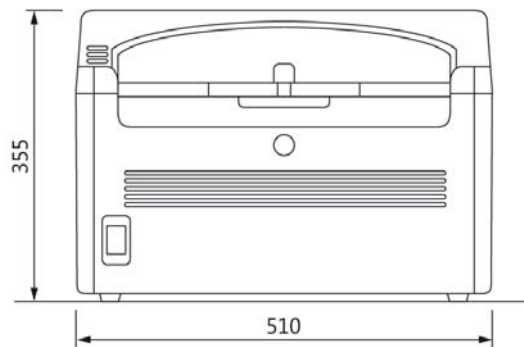
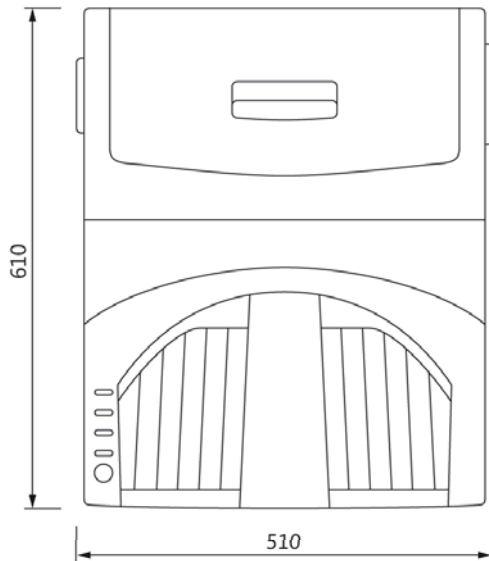
REGIUS CASS            ETTE RC-300  
14"x17", 14"x14", 11"x14", 10"x12", 8"x10",  
24x30 cm, 18x24 cm, 15x30 cm

#### ■ Readable Plate

REGIUS PLATE    FP-1S  
14"x17", 14"x14", 11"x14", 10"x12", 8"x10", 24x30 cm, 18x24 cm, 15x30 cm



### Dimensions :



Unit : mm 1/10 scaled

